

# VAE CONTROLS GROUP

## ROTATING BEAM LIGHT „MAV“

High intensity warning light for explosive hazardous areas

**VAE**  
CONTROLS

ISO 9001  
ISO 10006  
ISO 14001  
ISO 21500  
ISO 27001  
OHSAS 45001  
NATO CONFIDENTIAL  
SCC

### KEY FEATURES

- Highly vibration resistant
- No moving parts
- Wide operating input voltage range
- High Ingress Protection
- Suitable also for mines



**ATEX certified**  
**Zone 1 and 2**  
**I M2 Ex mb ib I**  
**II 2G Ex mb ib IIB T4**



**ROTATING BEAM LIGHT „MAV“** is designed for industrial applications in explosive hazardous areas. The light has a traditional red “rotating beam” but uses low power LED technology in an innovative solution involving no moving parts which guarantees the light a long maintenance-free installation and makes it highly resistant to vibration. There are 2 options:

- For underground mines
- For explosive hazardous areas zone 1 and 2.

The unit is designed as a compact unit with holder and possibility to set the angle.

### APPLICATIONS

- Underground parts of mines
- Overground parts of mines
- Chemical plants
- Refineries
- Fuels and oil products storages and terminals
- Pipeline pumping and compressor stations
- Gas storage facilities

**PROFESSIONAL SOLUTIONS FOR OIL&GAS AND WATER INDUSTRY**

# VAE CONTROLS GROUP

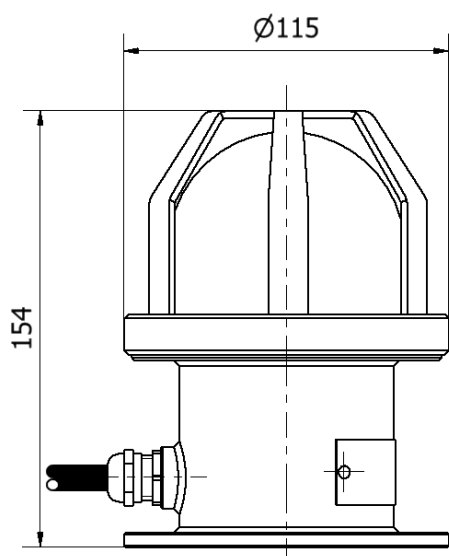
## ROTATING BEAM LIGHT „MAV“

High intensity warning light for explosive hazardous areas

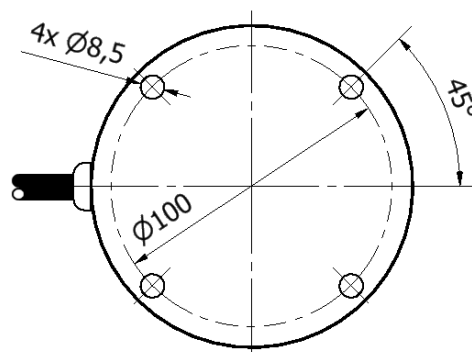
### SPECIFICATIONS

|                      |  |
|----------------------|--|
| Protection           | II 2G Ex mb ib IIB T4, I M2 Ex mb ib I |
| Ingress Protection   | IP54                                   |
| Ambient Temperature  | -10 °C to +50 °C                       |
| Power supply voltage | 10 - 70 VDC                            |
| Power consumption    | 3 W                                    |
| Internal Protection  | Fuse                                   |
| Cable type           | 3-core, 1.5 mm <sup>2</sup> , Ø 10 mm  |
| Cable length         | 2 m, terminated with crimped leads     |
| Dimensions           | Ø 115 x 154 mm                         |
| Weight               | 2.7 kg                                 |
| Installation         | On flat surface, 4 x bolt M8           |
| Dome material        | Hardened Glass                         |
| Body material        | Steel                                  |
| Surface finish       | Powder paint                           |
| Beam colour          | Red                                    |

Side view



Base view



PROFESSIONAL SOLUTIONS FOR OIL&GAS AND WATER INDUSTRY